

Model 3626

28 W max out • 90-264 VAC input

- Universal input voltage (90-264VAC)
- Fixed output voltages
- Short circuit proof
- ECO-design compliance:
 - CoC Tier 2, DoE level VI, CEC, MEPS
- Approvals:
 - Medically certified
 - Safety: EN 60601-1 ed. 3.1
 - EMC: EN 60601-1-2 ed. 4
 - UL approved
- Custom specifications on request:

Output voltage, connectors, cords, logo print, housing/open frame/IP rating and certificates. For more information: [custom design info sheet](#)

Notes:

Plug-in/desktop unit

90-264V

Exchangeable AC and DC plugs available

Order plugs and mains cord separately

Blueline



Available versions

5V / 4A

6V / 3,33A

7,5V / 3,73A

9V / 3,11A

12V / 2,33A

15V / 1,86A

18V / 1,55A

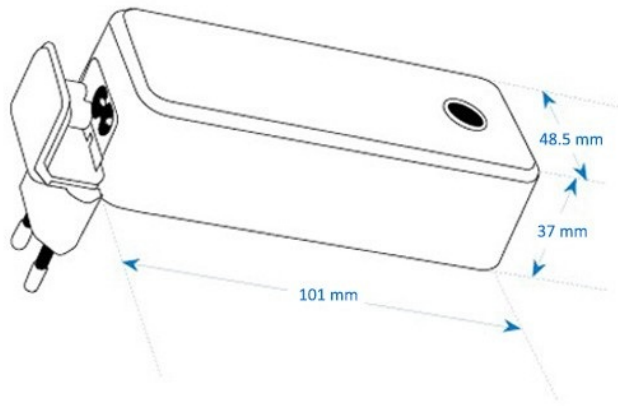
24V / 1,16A

SPECIFICATIONS FOR MASCOT TYPE 3626:		5V	6V	7.5V	9V	12V	15V	18V	24V
Input voltage:		90 - 264VAC	90 - 264VAC	90 - 264VAC	90 - 264VAC	90 - 264VAC	90 - 264VAC	90 - 264VAC	90 - 264VAC
Line frequency:		47 - 63Hz	47 - 63Hz	47 - 63Hz	47 - 63Hz	47 - 63Hz	47 - 63Hz	47 - 63Hz	47 - 63Hz
Output voltage:		5V ± 2.5%	6V ± 2.5%	7.5V ± 2.5%	9V ± 2.5%	12V ± 2.5%	15V ± 2.5%	18V ± 2.5%	24V ± 2.5%
Max output power:		20W	20W	28W	28W	28W	28W	28W	28W
Min. output current:		0A	0A	0A	0A	0A	0A	0A	0A
Max. output current:		4A	3.33A	3.73A	3.11A	2.33A	1.86A	1.55A	1.16A
Load regulation (0 - 100% load. Measured on pcb):		< 1%	< 1%	< 1%	< 1%	< 1%	< 1%	< 1%	< 1%
Mains regulation: (Mains variation: 90 - 264V, 100% load)		< 0,5%	< 0,5%	< 0,5%	< 0,5%	< 0,5%	< 0,5%	< 0,5%	< 0,5%
Ripple & Noise: (at 20MHz bandwidth)		< 100mV p-p	< 100mV p-p	< 130mV p-p	< 100mV p-p	< 130mV p-p	< 130mV p-p	< 130mV p-p	< 100mV p-p
Efficiency (at 100% load, 230V) approx.:		83%	85.5%	86%	87%	88.5%	89%	89%	89%
Standby power:	Input voltage 230VAC	<0.075W	<0.075W	<0.075W	<0.075W	<0.075W	<0.075W	<0.075W	<0.075W
	Input voltage 115VAC	<0.075W	<0.075W	<0.075W	<0.075W	<0.075W	<0.075W	<0.075W	<0.075W
Average efficiency at 100%,75% and 25% load	Input voltage 230VAC	>85%	>86%	>87.5%	>88.5%	>89%	>89%	>89%	>89%
	Input voltage 115VAC	>86%	>87%	>88%	>89%	>89%	>90%	>90%	>90%
Efficiency level VI:		Yes	Yes	Yes	Yes	Yes	Yes	Yes	Yes
Switch frequency approx.:		65kHz	65kHz	65kHz	65kHz	65kHz	65kHz	65kHz	65kHz
Overshoot (90 - 10% load variation):		< 200mV	< 200mV	< 200mV	< 250mV	< 250mV	< 250mV	< 250mV	< 200mV
Undershoot (10 - 90% load variation): Measured on pcb		< 300mV	< 300mV	< 300mV	< 300mV	< 300mV	< 350mV	< 300mV	< 250mV
Hold up time:		>5ms	>5ms	>5ms	>5ms	>5ms	>5ms	>5ms	>5ms
Temperature range:	*Operating: *With derating: *Storage:	-20 to +40°C +60°C -25 to +85°C							
Derating:		0.7W/°C over 40°C							
Safety:		IEC 60601-1 3rd							
Insulation class:		Class II							
Insulation voltage: Primary – secondary:		4000VAC / 5700VDC							
EMC standards:		EMC med. EN 60601-1-2 / Emission EN 61000-6-3 / Immunity EN 61000-6-1							
IP-degree		IP4X							
Input terminal		2-pins IEC320 C8 connector							
Output terminals:		Cord with/without plug. Exchangeable plugs available.							
Dimensions:		101 x 48.5 x 37mm							
Weight:		212g.							

Standard output cordsets

Versions	Part no.	Type	AWG	Length (M)	Notes
5V * 6V * 7,5V 9V * 12V	131581	Female conn	16	1.2	EMI core, UL 1185
15V * 18V * 24V	131514		18		Coax w. EMI core UL 1185

Technical drawing



EC Declaration of Conformity



We, the responsible manufacturer;

Company Name:	Mascot Electronics AS		
Postal Address:	P.O.Box 177, N-1601 Fredrikstad, NORWAY		
Visiting Address:	Mosseveien 109, N-1624 Gressvik, NORWAY		
Telephone:	(+47) 69 36 43 00	E-mail:	sales@mascot.com
		WEB:	www.mascot.com

declare that this Declaration is issued under our sole responsibility and belongs to the following product(s):

Product and intended purpose:	Power Supply Unit																								
Brand(s):	and/or MASCOT (may also carry additional customer name, logo or trade mark)																								
Type(s)/Model(s)/UDI-DI:	3626-series (with 2-pins IEC 60320 inlet for exchangeable AC-plugs or detachable mains cord.)																								
Batch / Serial No./UDI-PI:	all CE-marked products produced from the date indicated below (for production date: see marking on the product)																								
Description:	<p>Input: 100-240 VAC 50-60 Hz max. 0.4 A, Class II</p> <p>Output:</p> <table border="0"> <tr> <td>model 3626-50:</td> <td>5.0 - 5.9 VDC,</td> <td>max. 4 A, max. 15 W</td> </tr> <tr> <td>model 3626-60:</td> <td>6.0 - 7.4 VDC,</td> <td>max. 3.33 A, max. 15 W</td> </tr> <tr> <td>model 3626-75:</td> <td>7.5 - 7.9 VDC,</td> <td>max. 3.73 A, max. 15 W</td> </tr> <tr> <td>model 3626-90:</td> <td>8.5 - 11.9 VDC,</td> <td>max. 3.11 A, max. 22.5 W</td> </tr> <tr> <td>model 3626-12:</td> <td>12 - 14.9 VDC,</td> <td>max. 2.33 A, max. 28 W</td> </tr> <tr> <td>model 3626-15:</td> <td>15 - 17.9 VDC,</td> <td>max. 1.86 A, max. 28 W</td> </tr> <tr> <td>model 3626-18:</td> <td>18 - 19.9 VDC,</td> <td>max. 1.55 A, max. 28 W</td> </tr> <tr> <td>model 3626-24:</td> <td>20 - 26 VDC,</td> <td>max. 1.16 A, max. 28 W</td> </tr> </table>	model 3626-50:	5.0 - 5.9 VDC,	max. 4 A, max. 15 W	model 3626-60:	6.0 - 7.4 VDC,	max. 3.33 A, max. 15 W	model 3626-75:	7.5 - 7.9 VDC,	max. 3.73 A, max. 15 W	model 3626-90:	8.5 - 11.9 VDC,	max. 3.11 A, max. 22.5 W	model 3626-12:	12 - 14.9 VDC,	max. 2.33 A, max. 28 W	model 3626-15:	15 - 17.9 VDC,	max. 1.86 A, max. 28 W	model 3626-18:	18 - 19.9 VDC,	max. 1.55 A, max. 28 W	model 3626-24:	20 - 26 VDC,	max. 1.16 A, max. 28 W
model 3626-50:	5.0 - 5.9 VDC,	max. 4 A, max. 15 W																							
model 3626-60:	6.0 - 7.4 VDC,	max. 3.33 A, max. 15 W																							
model 3626-75:	7.5 - 7.9 VDC,	max. 3.73 A, max. 15 W																							
model 3626-90:	8.5 - 11.9 VDC,	max. 3.11 A, max. 22.5 W																							
model 3626-12:	12 - 14.9 VDC,	max. 2.33 A, max. 28 W																							
model 3626-15:	15 - 17.9 VDC,	max. 1.86 A, max. 28 W																							
model 3626-18:	18 - 19.9 VDC,	max. 1.55 A, max. 28 W																							
model 3626-24:	20 - 26 VDC,	max. 1.16 A, max. 28 W																							

The product(s) described above are in conformity with the relevant European Union harmonisation legislation:

2014/35/EU	EU Directive - Safety of electrical equipment ("Low-Voltage Directive") (LVD) recast, repealing Directives 2006/95/EC & 73/23/EEC
2014/30/EU	EU Directive - Electromagnetic Compatibility (EMC) recast, repealing Directives 2004/108/EC & 89/336/EEC
Regulation (EU) 2017/745	EU - Medical Devices Regulation (MDR), Risk Class I Device repealing Directive 93/42/EEC (MDD)
2009/125/EC	EU Directive - Energy Related Products, Ecodesign (ERP) recast, repealing Directive 2005/32/EC (EUP)
2015/863/EU	EU Directive - Restriction on use of Hazardous Substances in EEE ("RoHS3") recast, repealing Directives 2002/95/EC, 2008/35/EC & 2011/65/EU

The following harmonised standards and technical specifications have been applied:

(International editions and comments indicated in brackets)

Electrical Safety (to LVD-Directive & MD-Regulation):

EN 60950-1	EN 60950-1:2006 + /A1:2010, + /A11:2009, + /AC:2011, + /A12:2011 + /A2:2013 (IEC 60950-1:2005 modified + /A1:2009 modified + /A2:2013 modified, Edition 2.2)	IT-equipment (ITE), Edition 2.2
EN 60601-1	EN 60601-1:2006 + /AC:2010 + /A1:2013 (IEC 60601-1:2005 + /A1:2012)	Medical electrical equipment, Edition 3.1

Electromagnetic Compatibility (to EMC- & MDD-Directives):

EN 61000-6-1	EN 61000-6-1:2007 (IEC 61000-6-1:2005, Edition 2.0 and IEC 61000-6-1:2016, Edition 3.0)	Immunity-residential, comm. & light-industrial environment, Edition 2.0
EN 61000-6-3	EN 61000-6-3:2007 + /A1:2011 & /AC:2012 (IEC 61000-6-3:2007 + /A1:2010)	Emission-residential, comm. & light-industrial environment, Edition 2.1
EN 55022	EN 55022:2010 + /AC:2011 (CISPR 22:2008 modified, Edition 6.0)(Note: CISPR 22 is now replaced by CISPR 32:2012)	Emission-IT-Equipment, Edition 6.0
EN 55024	EN 55024:2010 (CISPR 24:2010, Edition 2.0 and CISPR 24:2010 + /Corr.1:2011 + /A1:2015, Edition 2.1)	Immunity-IT-Equipment, Edition 2.0

EC Declaration of Conformity



EN 55032 EN 55032:2012 + /AC:2013 (CISPR 32:2012 + /Corr.1:2012 + /Corr 2:2012, Edition 1.0 and CISPR 32:2015, Edition 2.0) Emission-Multimedia Equipment, Edition 1.0

EN 60601-1-2 EN 60601-1-2:2015 (IEC 60601-1-2:2014 modified, Edition 4.0) Medical equipment, EMC - Requirements and tests, Edition 4.0

Ecodesign (to ERP-Directive):

Commission Regulation (EC) No 2018/1782 implementing Directive 2005/32/EC with regard to eco-design requirements for no-load condition electric power consumption and average active efficiency of external power supplies repealing Commission Regulation (EC) No 278/2009

The Product is also in Compliance with other Ecodesign requirements:

EC Code of Conduct On Energy Efficiency of external Power Supplies version 5, Tier 2

US Code of Federal Regulations, Title 10, Chapter II, Subchapter D, Part 430, Energy Conservation Program for Consumer Products

International Efficiency Marking Protocol for External Power Supplies (v3.0 September 2013, doc. ref. EERE-2008-BT-STD-0005-0218), Level VI

Additional Information:

Compliance with harmonised standards and technical specifications may have been verified by the manufacturer, by third party testing or by a Certification Body (NCB).

The output voltage is a fixed voltage within the range indicated above.

The products are considered Risk Class I devices according to the General Medical Devices Directive.

The product(s) may be produced at production sites (for specific product: see "Made in"-marking on the product):

Mascot Baltic OÜ, Taevakivi 15, EE-13619 Tallinn, ESTONIA

Mascot Power Supplies (Ningbo) Co.,Ltd, No.128 Jinchuan Road, Zhenhai, Ningbo 315221, CHINA

The production sites are certified to standard EN 29001:2015 (ISO 9001:2015) by:

Mascot Baltic OÜ: Metrosert, certificate ref. K-144

Mascot Power Supplies (Ningbo) Co.,Ltd: DNV-GL, certificate ref. 179027-2015

The most recent issue of this Declaration is available at www.mascot.com.

Fredrikstad, Norway

Place of issue

2020-11-24

Date of issue

Signed on behalf of Mascot Electronics AS


Finn-Erik Wailin, Compliance Manager

Name, function, signature