

Model 3546 LI

2,5 A max out • 90-264 VAC input

- 3-step charge control with current detection
- Universal input voltage
- Wake up and low current start-up of deeply discharged batteries
- Safety indication and protection: Against reverse polarity, short circuit, charging battery packs with the wrong number of cells and safety timer run-out
- Approvals:
 - Household safety, EN 60335-1 & -2-29 (6V, 12V, 18V and 24V)
 - Medically certified
 - Safety: EN 60601-1 ed. 3.1
 - Home healthcare EN 60601-1-11
 - EMC: EN 60601-1-2 ed. 4
 - UL approved
- Custom specifications on request:

Charging parameters, connectors, cords, logo print, housing/open frame/IP rating and certificates. For more information: [custom design info sheet](#)

BlueLine



Available versions

1 cell / 2,5A	2 cell / 2,5A
3 cell / 2,2A	4 cell / 1,6A
5 cell / 1,35A	6 cell / 1,15A
7 cell / 1,0A	8 cell / 0,85A
10 cell / 0,7A	14 cell / 0,5A

Notes:

Plug-in/Desktop unit

Exchangeable AC and DC plugs available

Order plugs & mains cord separately

Standard DC output cord:

Female connector L 0.75m, AWG 18, UL 1185 Coax

With NTC input on request

Animation showing charge error indications:

<https://vimeo.com/679995332>

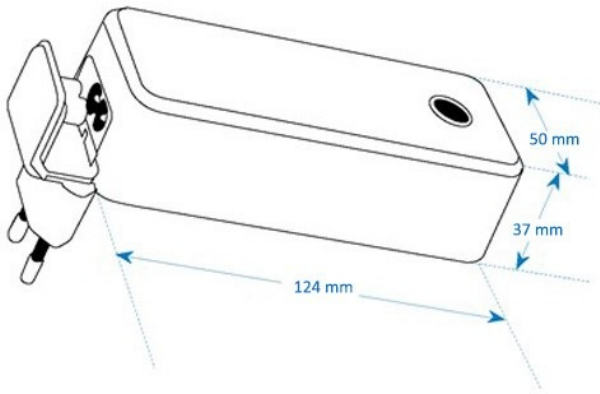
MASCOT type 3546 Li-Ion chargers:	1-cell Li-Ion	2-cell Li-Ion	3-cell Li-Ion
Input voltage: / Line frequency	90-264 Vac/ 47-63 Hz		
Max output power	10.5W	21W	27.7W
Charge control: Charge indication:			
Step 0 < 10min Yellow	CC 100mA ± 25mA, when battery voltage < 3V. 0A / 0V	CC 100mA ± 25mA, when battery voltage < 6V. 0A / 0V	CC 100mA ± 25mA, when battery voltage < 9V. 0A / 0V
Step 0 > 10min Red (4 blinks)	CC 2.5A ± 0.3A, when 3V < Vbat < 4.2V. CV 4.2V ± 0.05V, until I charge < 100mA or max. 1h.	CC 2.5A ± 0.3A, when 6V < Vbat < 8.4V. CV 8.4V ± 0.1V, until I charge < 100mA or max. 1h.	CC 2.2A ± 0.2A, when 9V < Vbat < 12.6V. CV 12.6V ± 0.1V, until I charge < 100mA or max. 1h.
Step 1 (Constant Current) Yellow			
Step 2 (Constant Voltage) Flashing Yellow			
Charge timer (step2, CV)	1h	1h	1h
Safety timer (all steps) Red (5 blinks)	72h	72h	72h
Step 3 (Charge Completed) Green	0A	0A	0A
Restart voltage	4.1V	8.2V	12.3V
Formation Charge (Step 0)	Low current start-up of deeply discharged battery.		
Wake-up of deeply discharged battery.	Yes, will apply voltage which deactivates deep discharge protection in battery pack.		
Indication when "Battery not connected"	Flashing Green (1s/1s)		
NTC input, on request (std is 10kohm, B-value approx. 4000)	0 – 45 °C: Normal charge. Battery temperature < 0 °C (too cold) or > 45°C (too hot): No charge, wait until temp. is OK.		
Ripple:	< 100mV p-p		
Efficiency (at 100% load) approx.:	85 % (70% for 1 cell version)		
Switch frequency approx.:	35kHz		
Leakage current from battery with mains switched off:	< 300 µA at nominal battery voltage (< 0.22 Ah/month)		
Protection:	Protected against reversed polarity. Error Indication: Red (2 blinks) Short circuit proof. Error Indication: Red (3 blinks) Charging of wrong lower voltage battery pack will be limited to 100mA and terminated after 10min. Indication: Red (4 blinks) Safety timer. Error Indication: Red (5 blinks) No charge (or charge terminated) if connecting wrong battery pack with higher voltage. Indication: LED is OFF.		
Temperature range:	Operating: -25 to +40°C. Transport and short time storage: -25 to +85°C		
Safety:	Medical EN 60601-1 / Home Health care EN 60601-1-11/ Battery Charger EN 60335-2-29		
Insulation class :	Class II		
Insulation voltage: Primary – secondary:	4000VAC / 5700VDC		
EMC standards:	EN 55014-1 and –2, Emission EN 61000-6-3, Immunity EN 61000-6-1, EN 60601-1-2		
Input terminal:	2-pins IEC 320 connector, C8.		
Output terminals:	DC connector, Battery clips, Push-on terminals or open ends.		
IP-Grade:	4X		
Rec. battery capacity:	2.5 Ah (1C) to 10Ah (<100mA charge current as EoC detection) or up to 100Ah (utilizing the 1h CV timer as EoC detection)	2.5 Ah (1C) to 10Ah (<100mA charge current as EoC detection) or up to 100Ah (utilizing the 1h CV timer as EoC detection)	2.2Ah (1C) to 10Ah (<100mA charge current as EoC detection) or up to 88Ah (utilizing the 1h CV timer as EoC detection)
Dimensions:	123.5 × 49.5 × 37 mm		
Weight:	220g		

MASCOT type 3546 Li-Ion chargers:	4-cell Li-Ion	5-cell Li-Ion	6-cell Li-Ion
Input voltage: / Line frequency	90 - 264VAC / 47 - 63Hz		
Max output power	26.9W	28.4W	29W
Charge control: Charge indication:			
Step 0 < 10min Yellow	CC 100mA ± 25mA, when batt voltage < 12V.	CC 100mA ± 25mA, when battery voltage < 15V.	CC 100mA ± 25mA, when batt voltage < 18V.
Step 0 > 10min Red (4 blinks)	0A / 0V	0A / 0V	0A / 0V
Step 1 (Constant Current) Yellow	CC 1.6A ± 0.15A, when 12V < Vbat < 16.8V.	CC 1.35A ± 0.2A, when 15V < Vbat < 21.0V.	CC 1.15A ± 0.1A, when 18V < Vbat < 25.2V.
Step 2 (Constant Voltage) Flashing Yellow	CV 16.8V ± 0.1V, until I charge < 100mA or max. 1h.	CV 21.0V ± 0.1V, until I charge < 100mA or max. 1h.	CV 25.2V ± 0.2V, until I charge < 100mA or max. 1h.
Charge timer (step2, CV)	1h	1h	1h
Safety timer (all steps) Red (5 blinks)	72h	72h	72h
Step 3 (Charge Completed) Green	0A	0A	0A
Restart voltage	16.4V	20.5V	24.6V
Formation Charge (Step 0)	Low current start-up of deeply discharged battery.		
Wake-up of deeply discharged battery.	Yes, will apply voltage which deactivates deep discharge protection in battery pack.		
Indication when "Battery not connected"	Flashing Green (1s/1s)		
NTC input, on request (std is 10kohm, B-value approx. 4000)	0 - 45 °C: Normal charge. Battery temperature < 0 °C (too cold) or > 45°C (too hot): No charge, wait until temp. is OK.		
Ripple:	< 100mV p-p		
Efficiency (at 100% load) approx.:	85 %		
Switch frequency approx.:	35kHz		
Leakage current from battery with mains switched off:	< 300 µA at nominal battery voltage (< 0.22 Ah/month)		
Protection:	Protected against reversed polarity. Error Indication: Red (2 blinks) Short circuit proof. Error Indication: Red (3 blinks) Charging of wrong lower voltage battery pack will be limited to 100mA and terminated after 10min. Indication: Red (4 blinks) Safety timer. Error Indication: Red (5 blinks) No charge (or charge terminated) if connecting wrong battery pack with higher voltage. Indication: LED is OFF.		
Temperature range:	Operating: -25 to +40°C. Transport and short time storage: -25 to +85°C		
Safety:	Medical EN 60601-1 / Home Health care EN 60601-1-11/ Battery Charger EN 60335-2-29		
Insulation class :	Class II		
Insulation voltage: Primary – secondary:	4000VAC / 5700VDC		
EMC standards:	EN 55014-1 and -2, Emission EN 61000-6-3, Immunity EN 61000-6-1, EN 60601-1-2		
Input terminal:	2-pins IEC 320 connector, C8.		
Output terminals:	DC connector, Battery clips, Push-on terminals or open ends.		
IP-Grade:	4X		
Rec. battery capacity:	1.6 Ah (1C) to 10Ah (<100mA charge current as EoC detection) or up to 64Ah (utilizing the 1h CV timer as EoC detection)	1.35 Ah (1C) to 10Ah (<100mA charge current as EoC detection) or up to 54Ah (utilizing the 1h CV timer as EoC detection)	1.15 Ah (1C) to 10Ah (<100mA charge current as EoC detection) or up to 46Ah (utilizing the 1h CV timer as EoC detection)
Dimensions:	123.5 × 49.5 × 37 mm		
Weight:	220g		

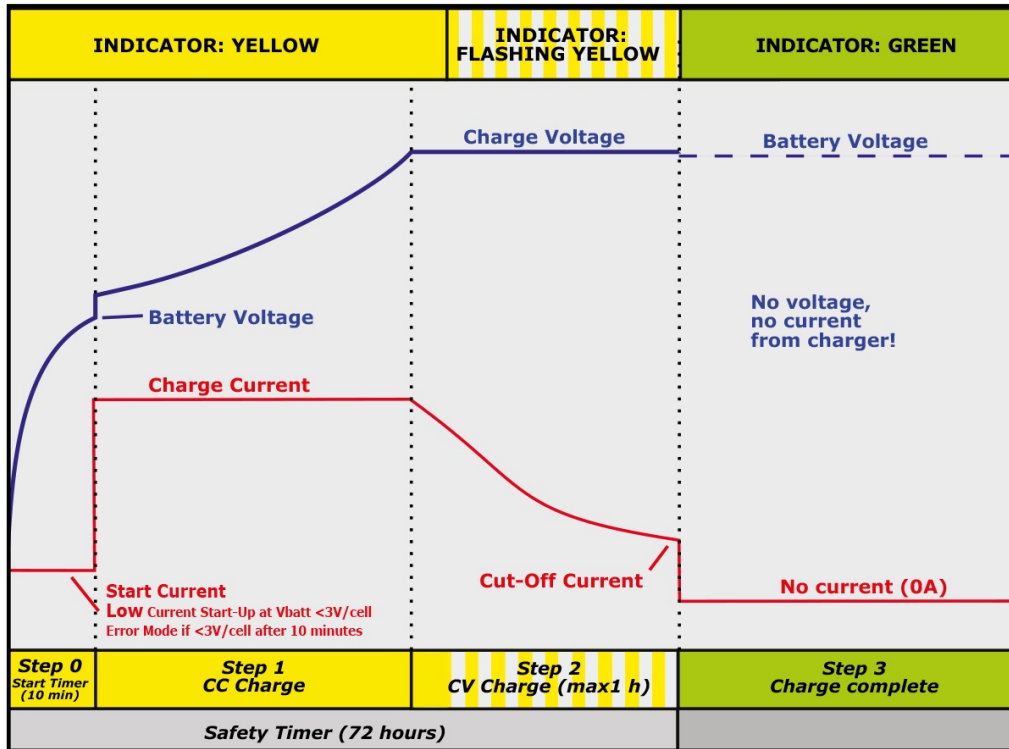
MASCOT type 3546 Li-Ion chargers:	7-cell Li-Ion	8-cell Li-Ion	10-cell Li-Ion
Input voltage: / Line frequency	90 - 264VAC / 47 - 63Hz		
Max output power	29.4W	28.6W	29.4W
Charge control: Charge indication:			
Step 0 < 10min Yellow	CC 100mA ± 25mA, when batt voltage < 21V. 0A / 0V	CC 100mA ± 25mA, when batt voltage < 24V. 0A / 0V	CC 100mA ± 25mA, when batt voltage < 30V. 0A / 0V
Step 0 > 10min Red (4 blinks)			
Step 1 (Constant Current) Yellow	CC 1.0A ± 0.1A, when 21V < Vbat < 29.4V. CV 29.4V ± 0.2V, until I charge < 100mA or max. 1h.	CC 0.85A ± 0.1A, when 24V < Vbat < 33.6V. CV 33.6V ± 0.2V, until I charge < 100mA or max. 1h.	CC 0.7A ± 0.07A, when 30V < Vbat < 42V. CV 42V ± 0.3V, until I charge < 100mA or max. 1h.
Step 2 (Constant Voltage) Flashing Yellow			
Charge timer (step2, CV)	1h	1h	1h
Safety timer (all steps) Red (5 blinks)	72h	72h	72h
Step 3 (Charge Completed) Green	0A	0A	0A
Restart voltage	28.7V	32.8V	41V
Formation Charge (Step 0)	Low current start-up of deeply discharged battery.		
Wake-up of deeply discharged battery.	Yes, will apply voltage which deactivates deep discharge protection in battery pack.		
Indication when "Battery not connected"	Flashing Green (1s/1s)		
NTC input, on request (std is 10kohm, B-value approx. 4000)	0 - 45 °C: Normal charge. Battery temperature < 0 °C (too cold) or > 45°C (too hot): No charge, wait until temp. is OK.		
Ripple:	< 100mV p-p		
Efficiency (at 100% load) approx.:	85 %		
Switch frequency approx.:	35kHz		
Leakage current from battery with mains switched off:	< 300 µA at nominal battery voltage (< 0.22 Ah/month)		
Protection:	Protected against reversed polarity. Error Indication: Red (2 blinks) Short circuit proof. Error Indication: Red (3 blinks) Charging of wrong lower voltage battery pack will be limited to 100mA (75mA) and terminated after 10min. Indication: Red (4 blinks) Safety timer. Error Indication: Red (5 blinks) No charge (or charge terminated) if connecting wrong battery pack with higher voltage. Indication: LED is OFF.		
Temperature range:	Operating: -25 to +40°C. Transport and short time storage: -25 to +85°C		
Safety:	Medical EN 60601-1 / Home Health care EN 60601-1-11/ Battery Charger EN 60335-2-29		
Insulation class :	Class II		
Insulation voltage: Primary – secondary:	4000VAC / 5700VDC		
EMC standards:	EN 55014-1 and –2, Emission EN 61000-6-3, Immunity EN 61000-6-1, EN 60601-1-2		
Input terminal:	2-pins IEC 320 connector, C8.		
Output terminals:	DC connector, Battery clips. Push-on terminals or open ends.		
IP-Grade:	4X		
Rec. battery capacity:	1Ah (1C) to 10Ah (<100mA charge current as EoC detection) or up to 40Ah (utilizing the 1h CV timer as EoC detection)	0.85Ah (1C) to 10Ah (<100mA charge current as EoC detection) or up to 34Ah (utilizing the 1h CV timer as EoC detection)	0.7Ah (1C) to 10Ah (<100mA charge current as EoC detection) or up to 28Ah (utilizing the 1h CV timer as EoC detection)
Dimensions:	123.5 × 49.5 × 37 mm		
Weight:	220g		

MASCOT type 3546 Li-Ion chargers:	14-cell Li-Ion		
Input voltage: / Line frequency			
Max output power	29.4W		
Charge control: Charge indication:			
Step 0 < 10min Yellow	CC 60mA ± 15mA, when batt voltage < 42V.		
Step 0 > 10min Red (4 blinks)	0A / 0V		
Step 1 (Constant Current) Yellow	CC 0.5A ± 0.05A, when 42V < Vbat < 58.8V.		
Step 2 (Constant Voltage) Flashing Yellow	CV 58.8V ± 0.5V, until I charge < 75mA or max. 1h.		
Charge timer (step2, CV)	1h		
Safety timer (all steps) Red (5 blinks)	72h		
Step 3 (Charge Completed) Green	0A		
Restart voltage	57.4V		
Formation Charge (Step 0)	Low current start-up of deeply discharged battery.		
Wake-up of deeply discharged battery.	Yes, will apply voltage which deactivates deep discharge protection in battery pack.		
Indication when "Battery not connected"	Flashing Green (1s/1s)		
NTC input, on request (std is 10kohm, B-value approx. 4000)	0 - 45 °C: Normal charge. Battery temperature < 0 °C (too cold) or > 45°C (too hot): No charge, wait until temp. is OK.		
Ripple:	< 100mV p-p		
Efficiency (at 100% load) approx.:	85 %		
Switch frequency approx.:	35kHz		
Leakage current from battery with mains switched off:	< 300 µA at nominal battery voltage (< 0.22 Ah/month)		
Protection:	Protected against reversed polarity. Error Indication: Red (2 blinks) Short circuit proof. Error Indication: Red (3 blinks) Charging of wrong lower voltage battery pack will be limited to 100mA (75mA) and terminated after 10min. Indication: Red (4 blinks) Safety timer. Error Indication: Red (5 blinks) No charge (or charge terminated) if connecting wrong battery pack with higher voltage. Indication: LED is OFF.		
Temperature range:	Operating: -25 to +40°C. Transport and short time storage: -25 to +85°C		
Safety:	Medical EN 60601-1 / Home Health care EN 60601-1-11/ Battery Charger EN 60335-2-29		
Insulation class :	Class II		
Insulation voltage: Primary – secondary:	4000VAC / 5700VDC		
EMC standards:	EN 55014-1 and –2, Emission EN 61000-6-3, Immunity EN 61000-6-1, EN 60601-1-2		
Input terminal:	2-pins IEC 320 connector, C8.		
Output terminals:	DC connector, Battery clips. Push-on terminals or open ends.		
IP-Grade:	4X		
Rec. battery capacity:	0.5 Ah (1C) to 7.5Ah (<75mA charge current as EoC detection) or up to 20Ah (utilizing the 1h CV timer as EoC detection)		
Dimensions:	123.5 × 49.5 × 37 mm		
Weight:	220g		

Technical drawing



Charging characteristics and LED indication *



* an animated video of this charging progress is available on our website

BATTERY NOT CONNECTED INDICATIONS

Battery not connected is indicated by FLASHING GREEN. In this mode charger will apply short pulses attempting to wake up deeply discharged batteries.


ERROR INDICATIONS

- 2 red blinks: Battery is connected to charger with wrong polarity!
- 3 red blinks: Charger output is shorted. Check output cable connection!
- 4 red blinks: Battery voltage is low. Check battery status or voltage.
- 5 red blinks: Safety timer has run out. Check battery status or capacity.
- LED off: Battery voltage is too high. Check battery voltage.

WAIT MODE INDICATIONS

- Yellow with 1 red blink: Battery temperature is too low ($< 0^{\circ}C$)
- Yellow with 2 red blink: Battery temperature is too high ($> 45^{\circ}C$)

We, the responsible manufacturer;

Company Name:	Mascot Electronics AS
Postal Address:	P.O.Box 177, N-1601 Fredrikstad, NORWAY
Visiting Address:	Mosseveien 109, N-1624 Gressvik, NORWAY
Telephone:	(+47) 69 36 43 00
E-mail:	sales@mascot.com
WEB:	www.mascot.com
declare that this Declaration is issued under our sole responsibility and belongs to the following product(s):	
Product and intended purpose:	Battery Charger for Li-Ion-, LiFePO ₄ -, Li-Titanate, Lead-Acid or NiMH/NiCd Batteries
Brand(s):	 and/or MASCOT (may also carry additional customer name, logo or trade mark)
Type(s)/Model(s)/UDI-DI:	3546 (may also carry additional customer model name or part number)
Batch / Serial No./UDI-PI:	all CE- and/or UKCA- marked products produced from the date indicated below (for production date: see marking on the product)
Description:	<p>Input: max. 0.35 A 100-240 VAC 50-60 Hz, Class II</p> <p>Output: max. 28 W (see product specific technical information)</p> <p>1- to 16-cell for Lithium-Ion Batteries or</p> <p>1- to 16-cell for LiFePO₄ Batteries or</p> <p>1-to 20-cell for Li-Titanate Batteries or</p> <p>12V, 24V, 36V or 48V for Lead Acid Batteries or</p> <p>2- to 20-cell for NiMH/NiCd Batteries.</p> <p>NOTES: - Versions with output voltage >42.4 VDC are not within the scope of standard EN 60335-2-29 Ed.4 (ref. Cl.10.101).</p>

The product(s) described above are in conformity with the relevant European Union harmonisation legislation for CE-marking:

2014/35/EU	EU Directive - Safety of electrical equipment ("Low-Voltage Directive") (LVD) recast, repealing Directives 2006/95/EC & 73/23/EEC
2014/30/EU	EU Directive - Electromagnetic Compatibility (EMC) recast, repealing Directives 2004/108/EC & 89/336/EEC
93/42/EEC	EU Directive - General Medical Devices (MDD), Risk Class I Device will from 26.05.2021 be repealed by "MDR" Regulation (EU) 2017/745
2009/125/EC	EU Directive - Energy Related Products, Ecodesign (ERP) recast, repealing Directive 2005/32/EC (EUP)
2015/863/EU	EU Directive - Restriction on use of Hazardous Substances in EEE ("RoHS3") recast, repealing Directives 2002/95/EC, 2008/35/EC & 2011/65/EU

The product(s) described above are in conformity with the relevant U.K. legislation for UKCA-marking:

Electrical Equipment (Safety) Regulations 2016
Electromagnetic Compatibility (EMC) Regulations 2016
The Medical Devices (Amendment etc.) (EU Exit) Regulations 2020, Risk Class I Device
Ecodesign for Energy-Related Products (External Power Supplies) Regulations 2020 Draft Regulation, awaiting implementation
The Restriction of the Use of Certain Hazardous Substances in Electrical and Electronic Equipment Regulations 2012

The following harmonised standards and technical specifications have been applied:

(International editions and comments indicated in brackets):

Electrical Safety (to LVD- & MDD-Directives):

EN 60950-1	EN 60950-1:2006 + /A1:2010, + /A11:2009, + /AC:2011, + /A12:2011 + /A2:2013 (IEC 60950-1:2005 modified + /A1:2009 modified + /A2:2013 modified, Edition 2.2)	IT-equipment (ITE), Edition 2.2 (OBS! expired for CE-marking !!)
EN 60335-1	EN 60335-1:2012 + /AC:2014 + /A11:2014 (IEC 60335-1:2010 modified, Edition 5.0)(also IEC 60335-1:2010 modified + /A1:2013 + /A2:2016, Edition 5.2)	Household and similar appliances-General requirements, Edition 5.0
EN 60335-2-29	EN 60335-2-29:2004 + /A2:2010 (IEC 60335-2-29:2002 + /A1:2004 + /A2:2009, Edition 4.2) (also IEC 60335-2-29:2016, Edition 5.0)	Household and similar appliances-Requirements for battery chargers, Edition 4.2
EN 60601-1	EN 60601-1:2006 + /AC:2010 + /A1:2013 (IEC 60601-1:2005 + /A1:2012)	Medical electrical equipment, Edition 3.1

Electrical Safety and Electromagnetic Compatibility (to MDR/MDD-Directives):

EN 60601-1	EN 60601-1:2006 + /AC:2010 + /A1:2013 (IEC 60601-1:2005 + /A1:2012)	Medical electrical equipment, Edition 3.1
EN 60601-1-2	EN 60601-1-2:2015 (IEC 60601-1-2:2014, Edition 4.0)	Medical equipment, EMC - Requirements and tests, Edition 4.0

Electromagnetic Compatibility (to EMC-Directive):

EN 61000-6-1	EN 61000-6-1:2007 (IEC 61000-6-1:2005, Edition 2.0) (also IEC 61000-6-1:2016, Edition 3.0, not yet an EN-norm)	Immunity-residential, comm. & light-industrial environment, Edition 2.0
EN 61000-6-3	EN 61000-6-3:2007 + /A1:2011 & /AC:2012 (IEC 61000-6-3:2007 + /A1:2010)	Emission-residential, comm. & light-industrial environment, Edition 2.1
EN 55014-1	EN 55014-1:2006 + /A1:2009 & /A2:2011 (CISPR 14-1:2005 + /A1:2008 & /A2:2011, Edition 5.2) (also CISPR 14-1:2016, Edition 6.0, but not yet an EN-norm)	Emission-household appliances, Edition 5.2
EN 55014-2	EN 55014-2:1997 + /AC:1997, /A1:2001, /A2:2008 (CISPR 14-2:1997 + /A1:2001 & /A2:2008, Edition 1.2) (also CISPR 14-2:2015, Edition 2.0, but not yet an EN-norm)	Immunity-household appliances, Edition 1.2
EN 55024	EN 55024:2010 (CISPR 24:2010, Edition 2.0) (also CISPR 24:2010 + /Corr.1:2011 + /A1:2015, Edition 2.1, but not yet an EN-norm)	Immunity-IT-Equipment, Edition 2.0
EN 55032	EN 55032:2012 + /AC:2013 (CISPR 32:2012 + /Corr.1:2012 + /Corr 2:2012, Edition 1.0) (also CISPR 32:2015, Edition 2.0, but not yet an EN-norm)	Emission-Multimedia Equipment, Edition 1.0

Ecodesign to EU ERP-Directive:

Commission Regulation (EC) No 2019/1782	implementing Directive 2005/32/EC with regard to ecodesign requirements for no-load condition electric power consumption and average active efficiency of external power supplies (Repealing Commission Regulation (EC) No 2019/1782 from 2020-04-01) (Note: not applicable to Battery Chargers, ref. Article 1.2 item c)
--	---

Ecodesign for U.K.:

Draft Regulation only (awaiting implementation)	Draft "Ecodesign for Energy-Related Products (External Power Supplies) Regulations 2020" (Note: not applicable to Battery Chargers)
--	---

Ecodesign for U.S.A. (Note: depends on battery used !):

US Code of Federal Regulations (CFR) Also called "DoE compliance"	10 CFR Part 430 - Energy Conservation Program for Consumer Products, 10 CFR Part 430, Subpart B - Test Procedures, 10 CFR Appendix Y to Subpart B of Part 430, Uniform Test Method for Measuring the Energy Consumption of Battery Chargers or 10 CFR Appendix Z to Subpart B of Part 430, Uniform Test Method for Measuring the Energy Consumption of External Power Supplies, whichever applicable.
---	---

California Code of Regulations (CCR) Also called "CEC-400 compliance" referring to CEC-400-2017-002 "2016 Appliance Efficiency Regulations" issued by California Energy Commission	CCR Title 20 - Public Utilities and Energy, Division 2 - State Energy Resources Conservation and Development Commission, Chapter 4 - Energy Conservation, Article 4 - Appliance Efficiency Regulations, Sections 1601 to 1609
--	--

Restriction of the Use of certain Hazardous Substances (RoHS) for EU:

2015/863/EU "RoHS3"	EU Directive - Restriction on use of Hazardous Substances in EEE Restriction of the Use of certain Hazardous Substances in Electrical and Electronic Equipment
----------------------------	--

Restriction of the Use of certain Hazardous Substances for UK:

The Restriction of the Use of Certain Hazardous Substances in Electrical and Electronic Equipment Regulations 2012

EU & UK Declaration of Conformity



Additional Information:

Compliance with harmonised standards and technical specifications may have been verified by the manufacturer, by third party testing or by a Certification Body (NCB).

The products are considered Risk Class I devices according to EU Medical Devices Directive, EU Medical Devices Regulation and the U.K. Medical Devices (Amendment etc.) (EU Exit) Regulations 2020.

The product(s) may be produced at production sites (for specific product: see "Made in"-marking on the product):

- Mascot Baltic OÜ, Taevakivi 15, EE-13619 Tallinn, ESTONIA
- Mascot Power Supplies (Ningbo) Co.,Ltd, No.128 Jinchuan Road, Zhenhai, Ningbo 315221, CHINA

The production sites are certified to standard EN 29001:2015 (ISO 9001:2015) by:

- Mascot Baltic OÜ: Metrosert, certificate ref. K-144
- Mascot Power Supplies (Ningbo) Co.,Ltd: DNV-GL, certificate ref. 179027-2015

The most recent issue of this Declaration is available at www.mascot.com.

Signed on behalf of Mascot Electronics AS

Fredrikstad, Norway

Place of issue

2021-01-28

Date of issue

Finn-Erik Wailin, Compliance Manager

Name, function, signature